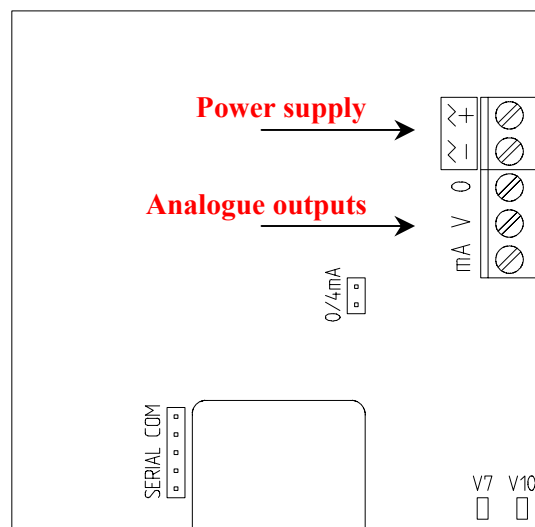


Vaisala GMD20 carbon dioxide transmitter

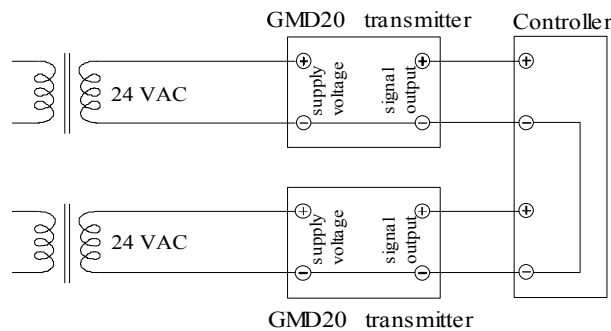
Power supply:	nominal 24 VDC/VAC (18...30 VDC)
Analogue outputs:	0...20 mA or 4...20 mA and 0...10 V
CO₂ Measuring range:	0-2000 ppm CO ₂ (nominal); with special calibration 0-5000 ppm, 0-10 000 ppm, 0-20 000 ppm
Operating temperature:	-5...+45 °C
Operating humidity:	short term 0...100 % RH (non-condensing) long term 0...85 % RH
Air flow range:	0...10 m/s

Wiring diagram



Connection to a 24 VAC supply

A) NO COMMON LOOP FORMED - RECOMMENDED



B) COMMON LOOP FORMED - NOT RECOMMENDED!

