

## VAISALA HUMICAP<sup>®</sup> HUMIDITY AND TEMPERATURE TRANSMITTER SERIES HMT100

Power supplies:	
<b>Current output version</b> Two-wire output signal External loop load with 4 ... 20 mA	4 ... 20 mA (loop powered) 10 ... 35 VDC ( $R_L = 0$ ohms) 20 ... 35 VDC ( $R_L = 500$ ohms)
<b>Voltage output version</b> Supply voltage Current consumption, 35 VDC/24 VAC Voltage output signals External load with voltage output	10 ... 35 VDC, 24 VAC max 12 mA 0 ... 1 V, 0 ... 5 V, 0 ... 10 V, 0 ... X V (configurable at order time) $R_L$ min. 10 k $\Omega$

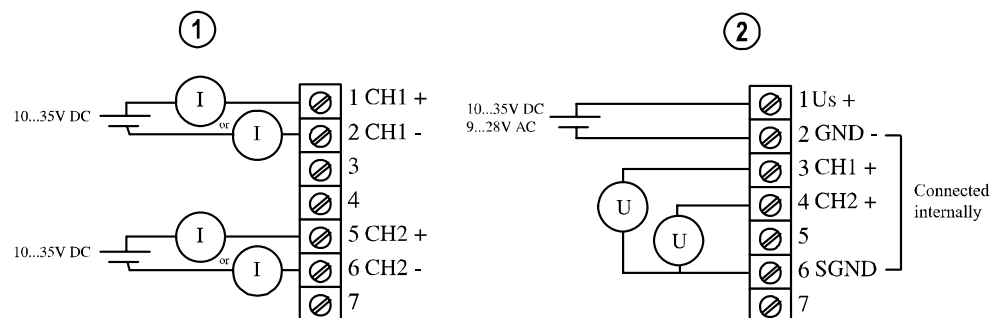
### Electrical Connections

#### Signal and Power Supply Wiring

1. Open the transmitter cover by taking out the cover screws.
2. Insert the power supply wires and the signal wires through the cable bushing in the bottom of the transmitter.
3. Connect the wires as indicated in Figure 1 and in Table 1. Note that you must wire the transmitter according to the type of transmitter (specified at order time; 2-wire current output or 3-wire voltage output).

#### NOTE

If an isolated output is required with current outputs then both channels require their own power supply. CH1 is always required to be powered (CH1 is the main output and the transmitter will not operate if only CH2 is connected).



**Figure 1** (1) Isolated Current-Loop Wiring, (2) Voltage Output Wiring

**Table 1      Wiring Table**

<b>Terminal</b>	<b>Current Output (2-Wire, CH2 Isolated)</b>	<b>Voltage Output (3-Wire)</b>
1	CH1+ (signal and power supply +)	Power supply +
2	CH1- (signal and power supply -)	Power supply -
3		CH1+
4		CH2+
5	CH2+ (signal and power supply +)	
6	CH2- (signal and power supply -)	CH- (for both channels)
7	Shield	Shield

The numbers 1 ... 7 in the first column of the wiring table refer to Figure 1 above. If you have at order time selected a two-wire transmitter, make the wiring according to item 1 in Figure 1. If you have selected a three-wire transmitter, make the wiring according to item 2 in Figure 1.

## **Taking into Use**

Close the cover and tighten the cover screws. The transmitter is ready for use.