

Vaisala HMD60U/Y humidity transmitter

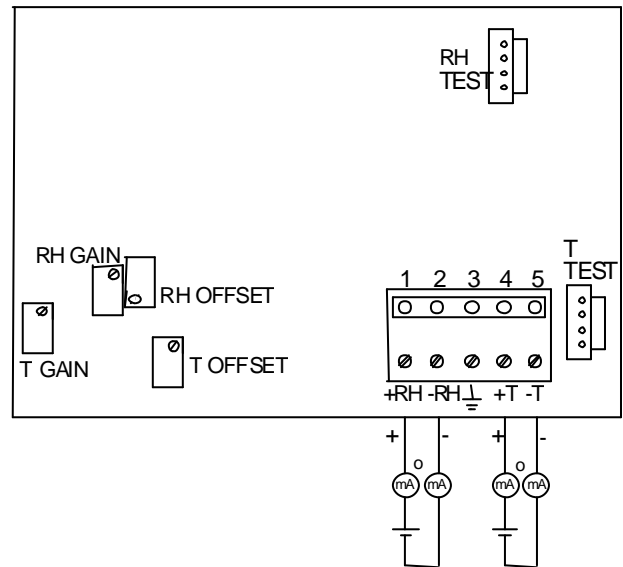
Output quantities:	Relative humidity (%), temperature (°C/°F) in model HMD60Y
Supply voltage:	10...35 VDC ($R_L = 0 \Omega$), 20...35 VDC ($R_L = 500 \Omega$)
Output signals:	4...20 mA (corresponding 0...100% RH, -20...+80°C)
Screw terminals:	0.5...1.5 mm ²

Wiring

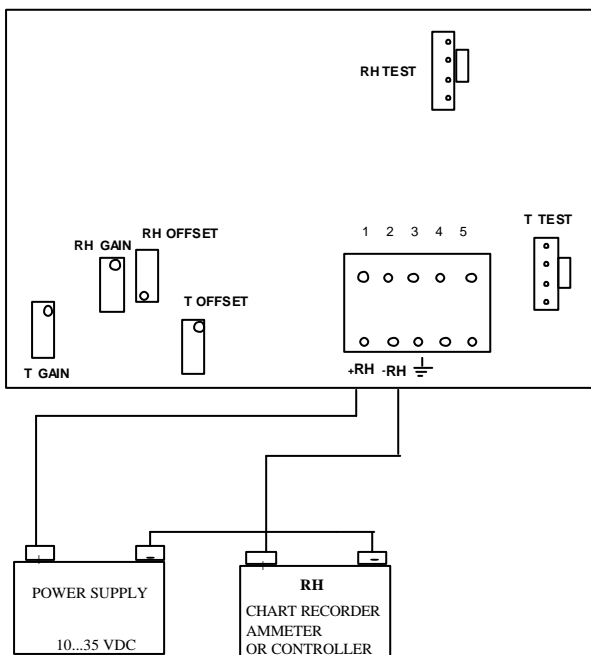
Signal cables are connected to a removable 5-pole screw connector. The figure on the right shows the electrical connections.

The same connections are shown below in an alternative way.

RH test and T test connectors are used with the HMI41 indicator equipped with an appropriate probe and optional calibration cable.



HMD60U



HMD60Y

